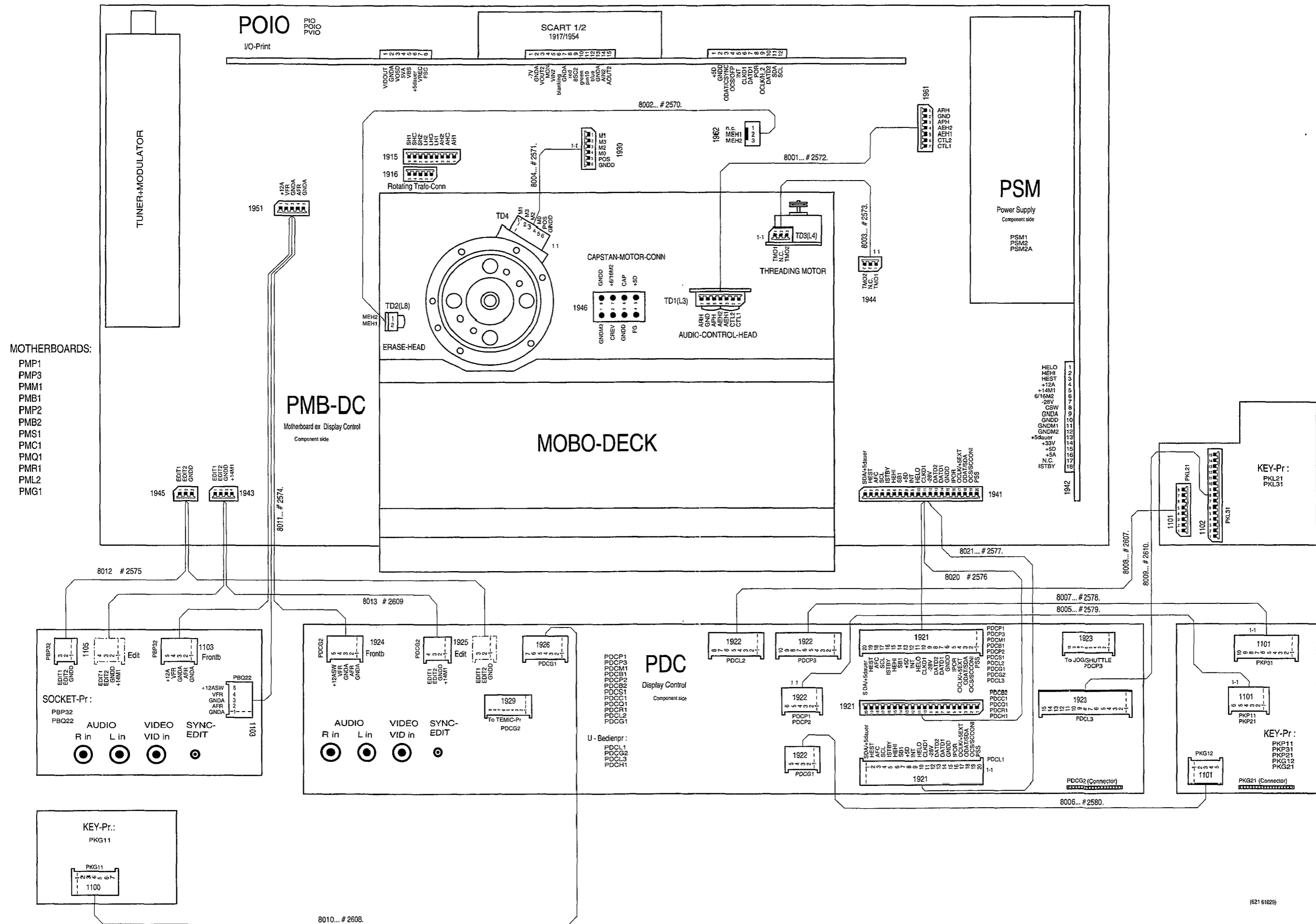
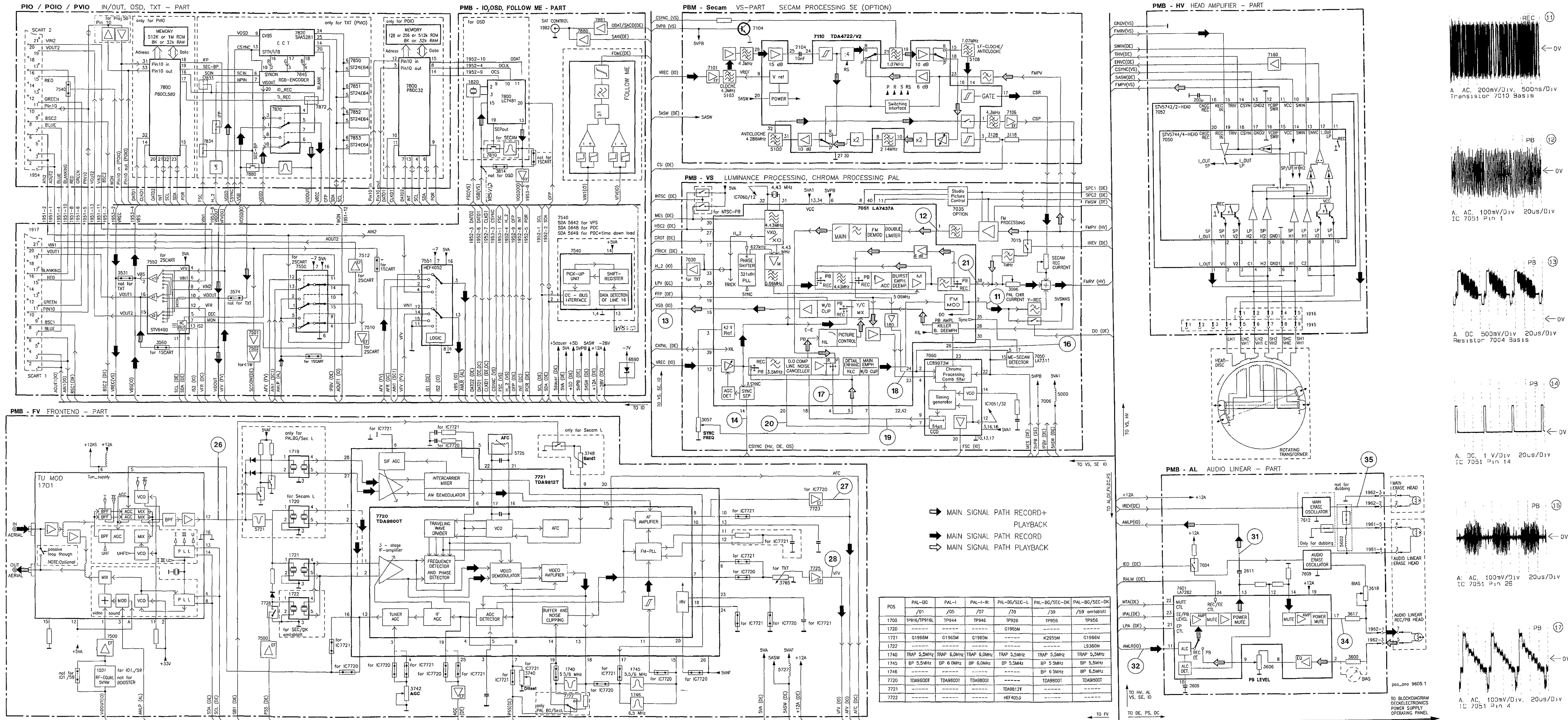


# Wiring Diagram

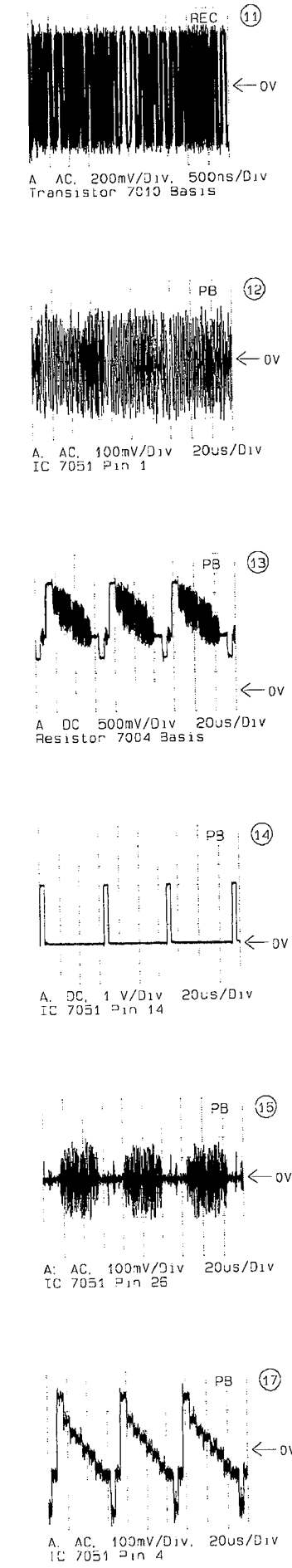


(621 61029)

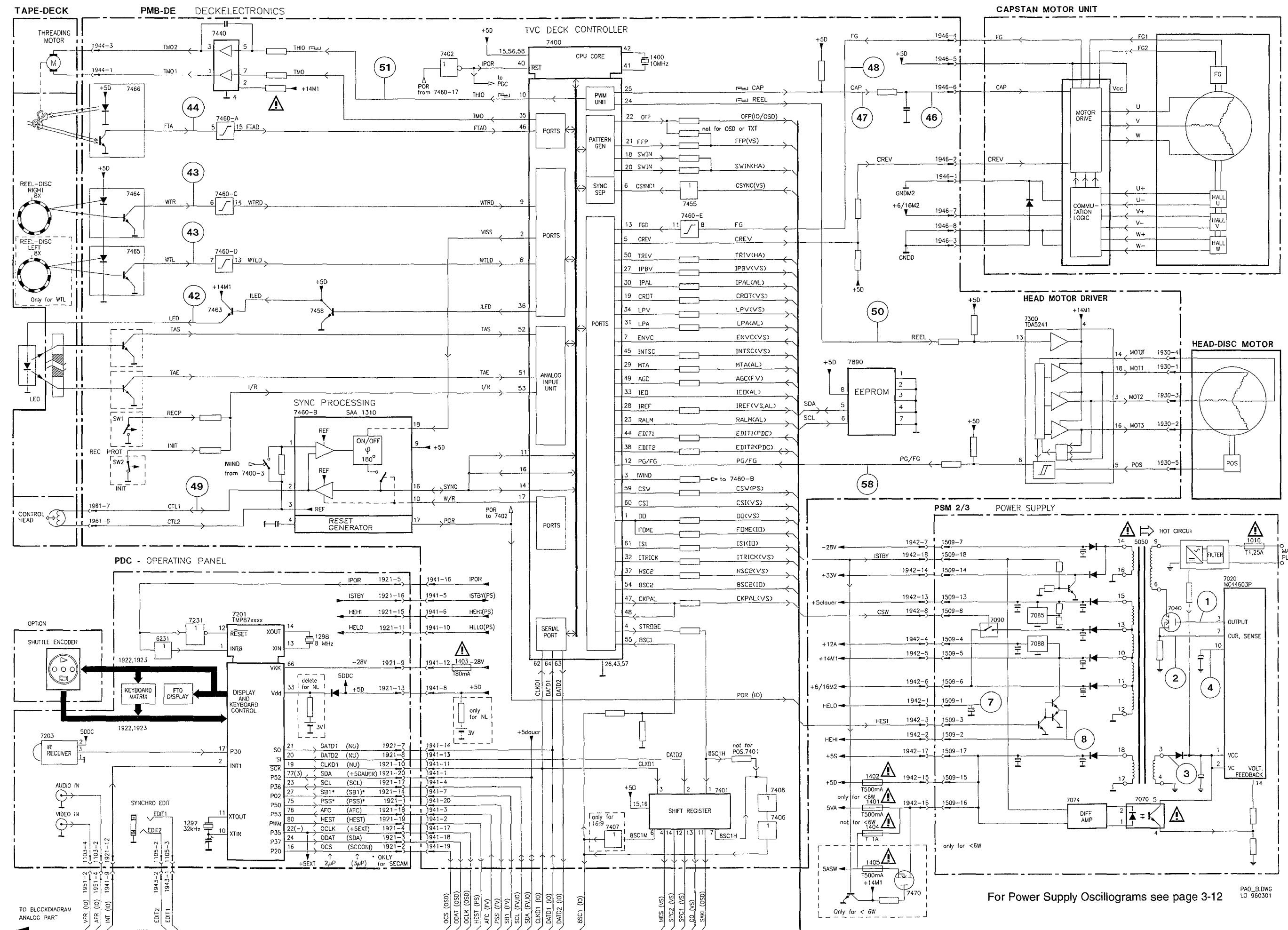
# Block Diagram Analog Part Paolina Mono



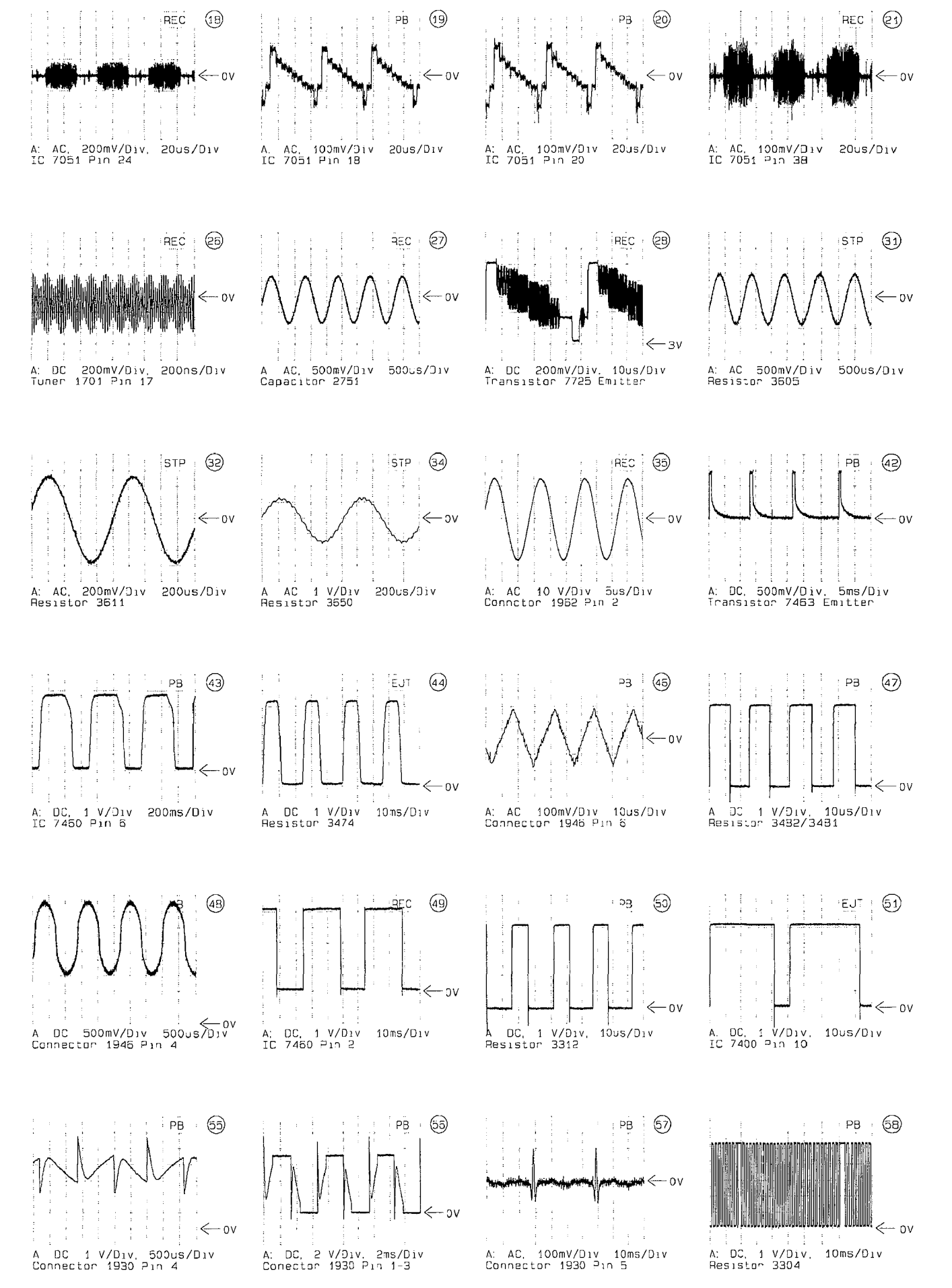
POS	PAL-BG	PAL-I	PAL-I-R	PAL-BG/SEC-L	PAL-BG/SEC-DK	PAL-BG/SEC-DK
	/01	/05	/07	/39	/59	/59 omlobbett
1700	TP916/TP916L	TP944	TP946	TP926	TP955	TP956
1720				G1965M		
1721	G1966M	G1965M	G1965M		K2955M	G1966M
1722						L9360M
1740	TRAP 5,5MHz	TRAP 6,0MHz	TRAP 6,0MHz	TRAP 5,5MHz	TRAP 5,5MHz	TRAP 5,5MHz
1745	BP 5,5MHz	BP 6,0MHz	BP 6,0MHz	BP 5,5MHz	BP 5,5MHz	BP 5,5MHz
1746				BP 6,0MHz	BP 6,5MHz	
7720	TDA9800T	TDA9800T	TDA9800T		TDA9800T	TDA9800T
7721				TDA9812T		
7722				HEF4053		



### Block Diagram Digital Part Paolina Mono

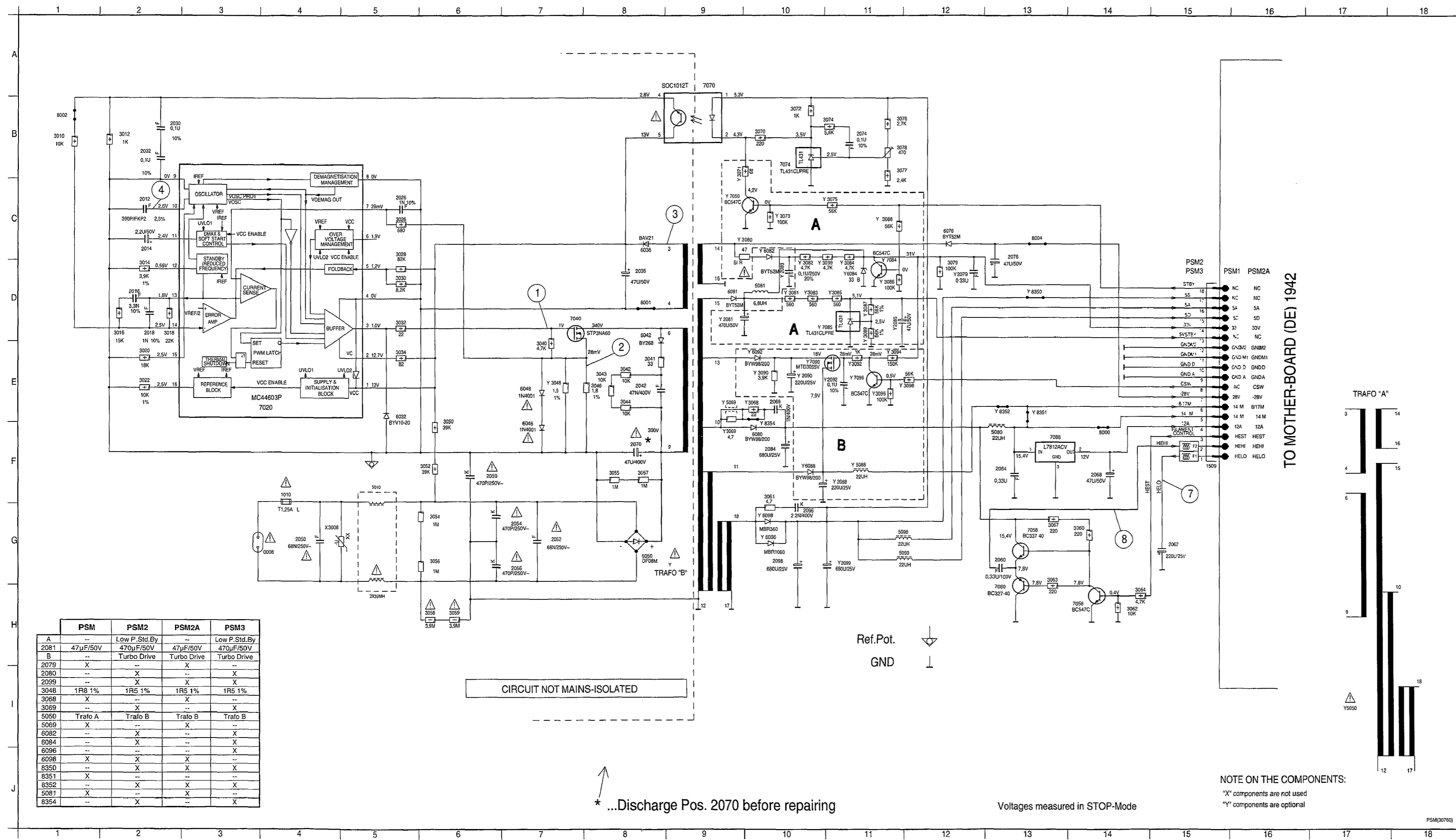


### Oscillograms Block Diagram



For Power Supply Oscillograms see page 3-12

# Power Supply PSM (PS)



	PSM	PSM2	PSM2A	PSM3
A	--	Low P. Std. By	--	Low P. Std. By
2081	47µF/50V	470µF/50V	47µF/50V	470µF/50V
B	--	Turbo Drive	Turbo Drive	Turbo Drive
2079	X	--	X	--
2080	--	X	--	X
2099	--	X	--	X
3048	1R8 1%	1R5 1%	1R5 1%	1R5 1%
3068	X	--	X	--
3069	--	X	--	X
5050	Trafo A	Trafo B	Trafo B	Trafo B
5069	X	--	X	--
6082	--	X	--	X
6084	--	X	--	X
6096	--	--	--	X
6098	X	X	X	X
B350	--	X	--	X
B351	X	--	--	--
B352	--	X	--	X
5081	X	--	X	--
B354	--	X	--	X

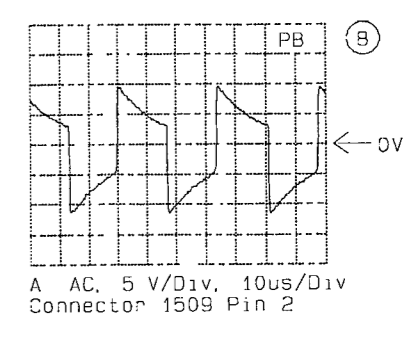
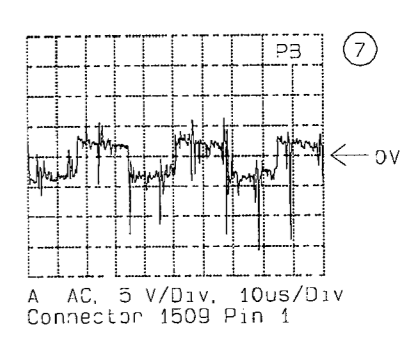
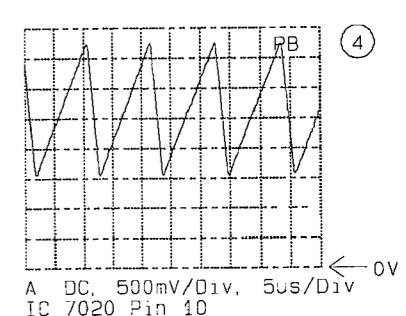
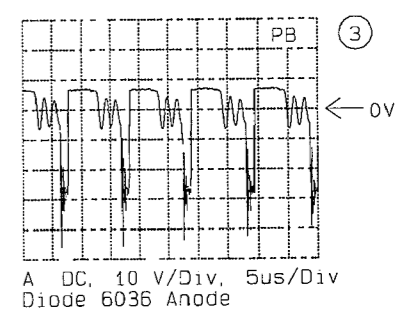
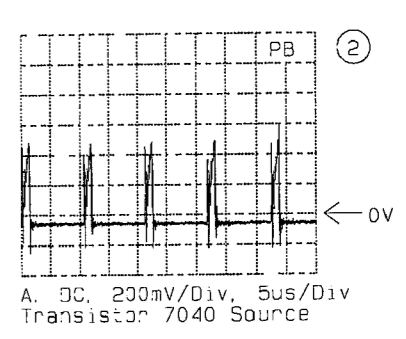
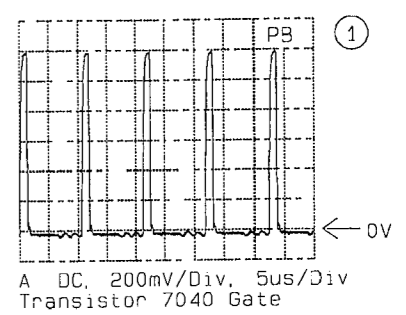
CIRCUIT NOT MAINS-ISOLATED

\* ...Discharge Pos. 2070 before repairing

Voltages measured in STOP-Mode

NOTE ON THE COMPONENTS:  
 "X" components are not used  
 "Y" components are optional

- 0008 G4
- 1010 F4
- 1509 F15
- 2012 C2
- 2014 C2
- 2016 D2
- 2018 D2
- 2026 C5
- 2030 B2
- 2032 B2
- 2036 D8
- 2042 E8
- 2050 G4
- 2052 G7
- 2054 G7
- 2056 G7
- 2059 F6
- 2060 G13
- 2062 G15
- 2064 F13
- 2068 F14
- 2069 E10
- 2070 F8
- 2074 B11
- 2076 C13
- 2079 D12
- 2080 D10
- 2081 D9
- 2084 F10
- 2085 D11
- 2088 F11
- 2090 E10
- 2092 E11
- 2096 G10
- 2099 G10
- 2099 G11
- 3008 G4
- 3010 B1
- 3012 B2
- 3014 D2
- 3016 D2
- 3018 D2
- 3020 E2
- 3022 E2
- 3026 C5
- 3028 C5
- 3030 D5
- 3034 E5
- 3040 E7
- 3041 E8
- 3042 E8
- 3043 E8
- 3044 E8
- 3046 E8
- 3048 E7
- 3050 E8
- 3052 F8
- 3054 G6
- 3055 F8
- 3056 G6
- 3057 F8
- 3058 H6
- 3059 H6
- 3060 G14
- 3061 G10
- 3062 H14
- 3063 G13
- 3064 H14
- 3067 G13
- 3068 E10
- 3069 F9
- 3070 B10
- 3071 B9
- 3072 B10
- 3073 C10
- 3074 B11
- 3075 C11
- 3076 B11
- 3077 B11
- 3078 B11
- 3079 D12
- 3080 C10
- 3081 D10
- 3082 D10
- 3083 D10
- 3084 D11
- 3085 D11
- 3086 D11
- 3087 D11
- 3088 C11
- 3089 D11
- 3090 E10
- 3092 E11
- 3094 E11



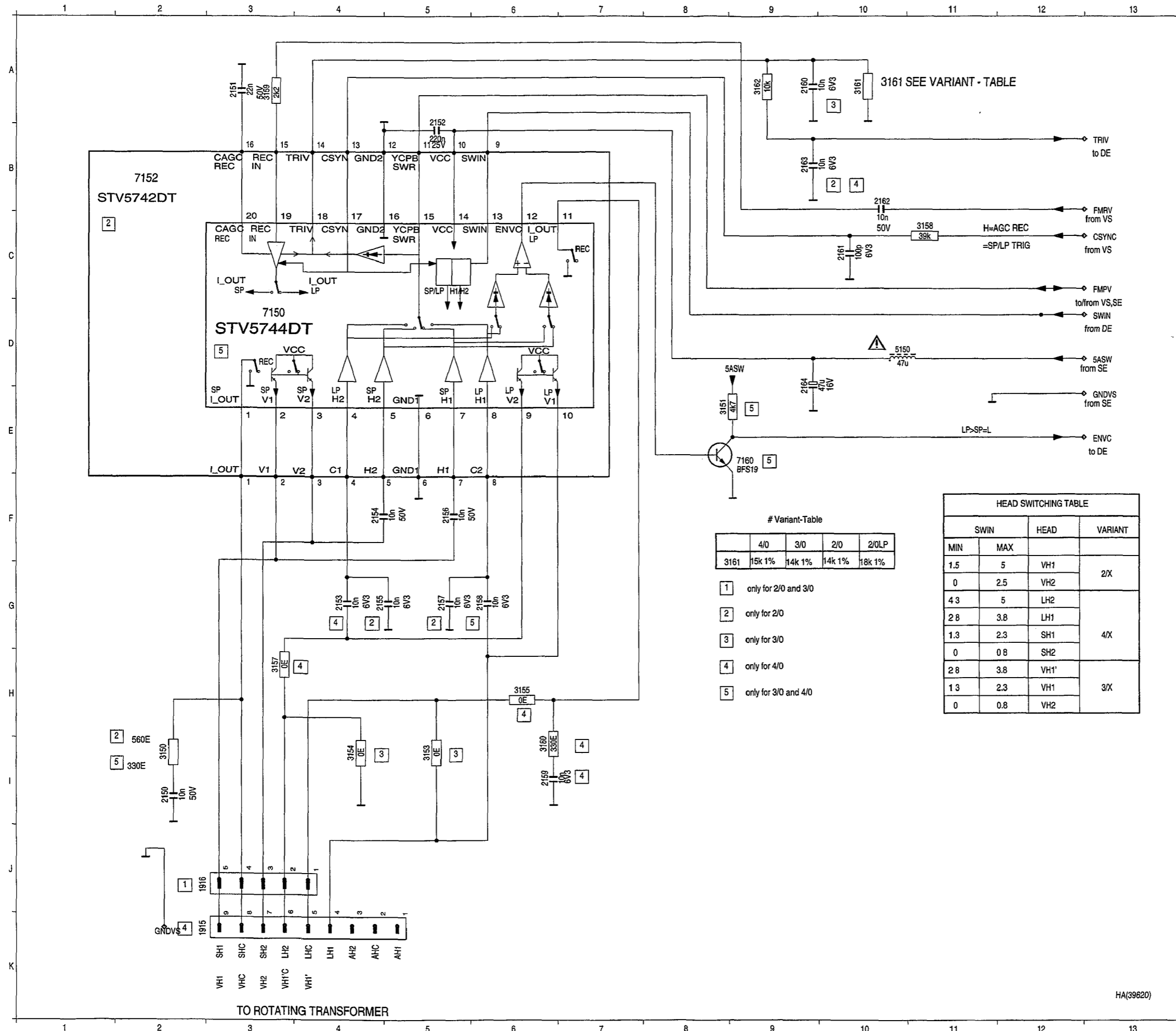
TO MOTHER-BOARD (DE) 1942

TRAF0 'A'

Y5050

PSM(30760)

Mother Board PMB - Head Amplifier (HA)



- 1915 K 2
- 1916 J 2
- 2150 I 2
- 2151 A 3
- 2152 B 5
- 2153 G 4
- 2154 F 4
- 2155 G 4
- 2156 F 5
- 2157 G 5
- 2158 G 6
- 2159 I 6
- 2160 A 9
- 2161 C 10
- 2162 B 10
- 2163 B 9
- 2164 D 9
- 3150 I 2
- 3151 E 8
- 3153 I 5
- 3154 I 4
- 3155 H 6
- 3157 H 3
- 3158 C 11
- 3159 A 3
- 3160 I 6
- 3161 A 10
- 3162 A 9
- 5150 D 10
- 7152 B 2
- 7160 E 9

# Variant-Table

	4/0	3/0	2/0	2/OLP
3161	15k 1%	14k 1%	14k 1%	18k 1%

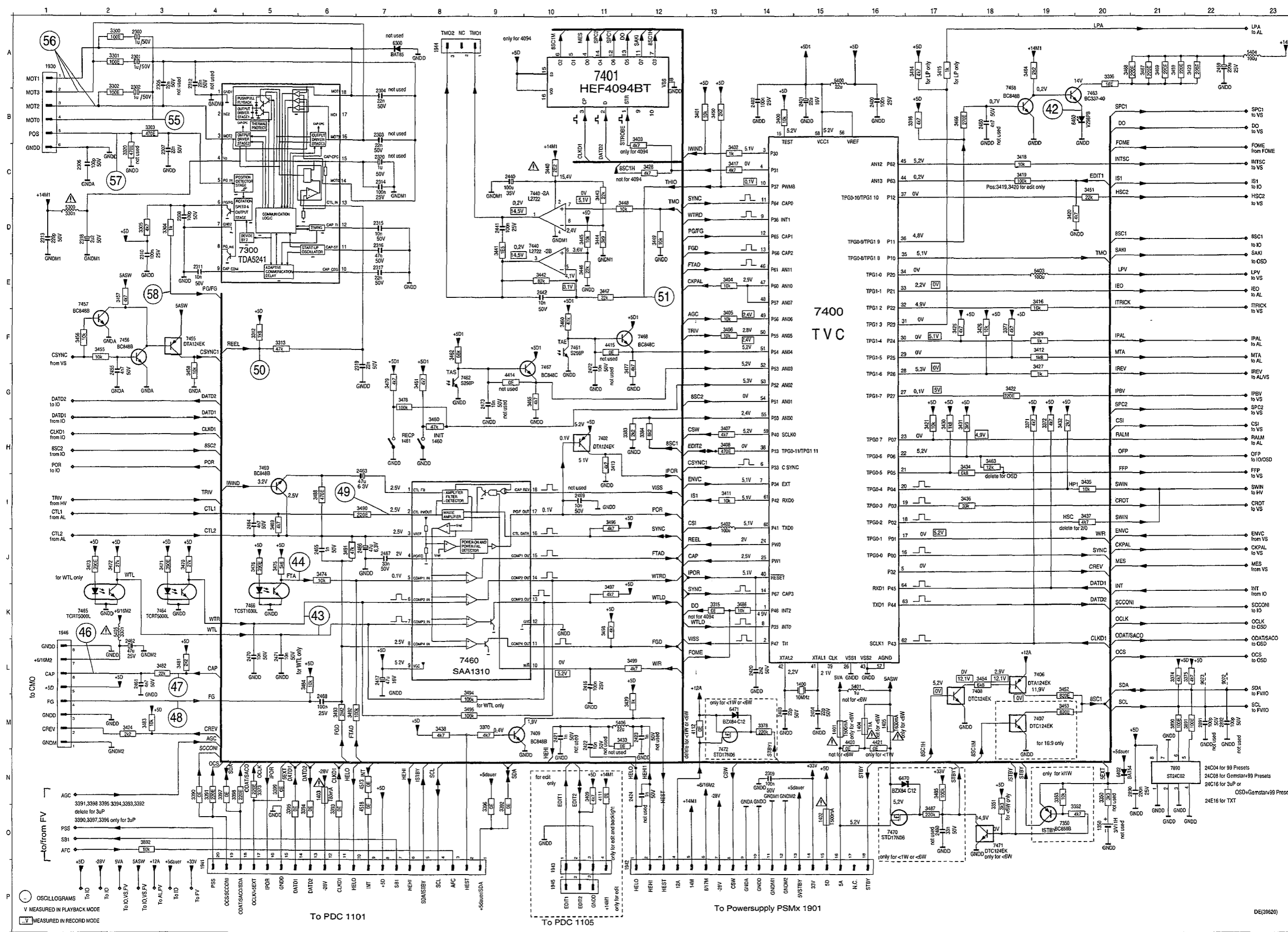
- 1 only for 2/0 and 3/0
- 2 only for 2/0
- 3 only for 3/0
- 4 only for 4/0
- 5 only for 3/0 and 4/0

HEAD SWITCHING TABLE

SWIN		HEAD	VARIANT
MIN	MAX		
1.5	5	VH1	2X
0	2.5	VH2	
4.3	5	LH2	4X
2.8	3.8	LH1	
1.3	2.3	SH1	
0	0.8	SH2	
2.8	3.8	VH1'	3X
1.3	2.3	VH1	
0	0.8	VH2	

HA(39620)

# Mother Board PMB - Deck Electronics (DE)



○ OSCILLOGRAMS  
 V MEASURED IN PLAYBACK MODE  
 □ MEASURED IN RECORD MODE

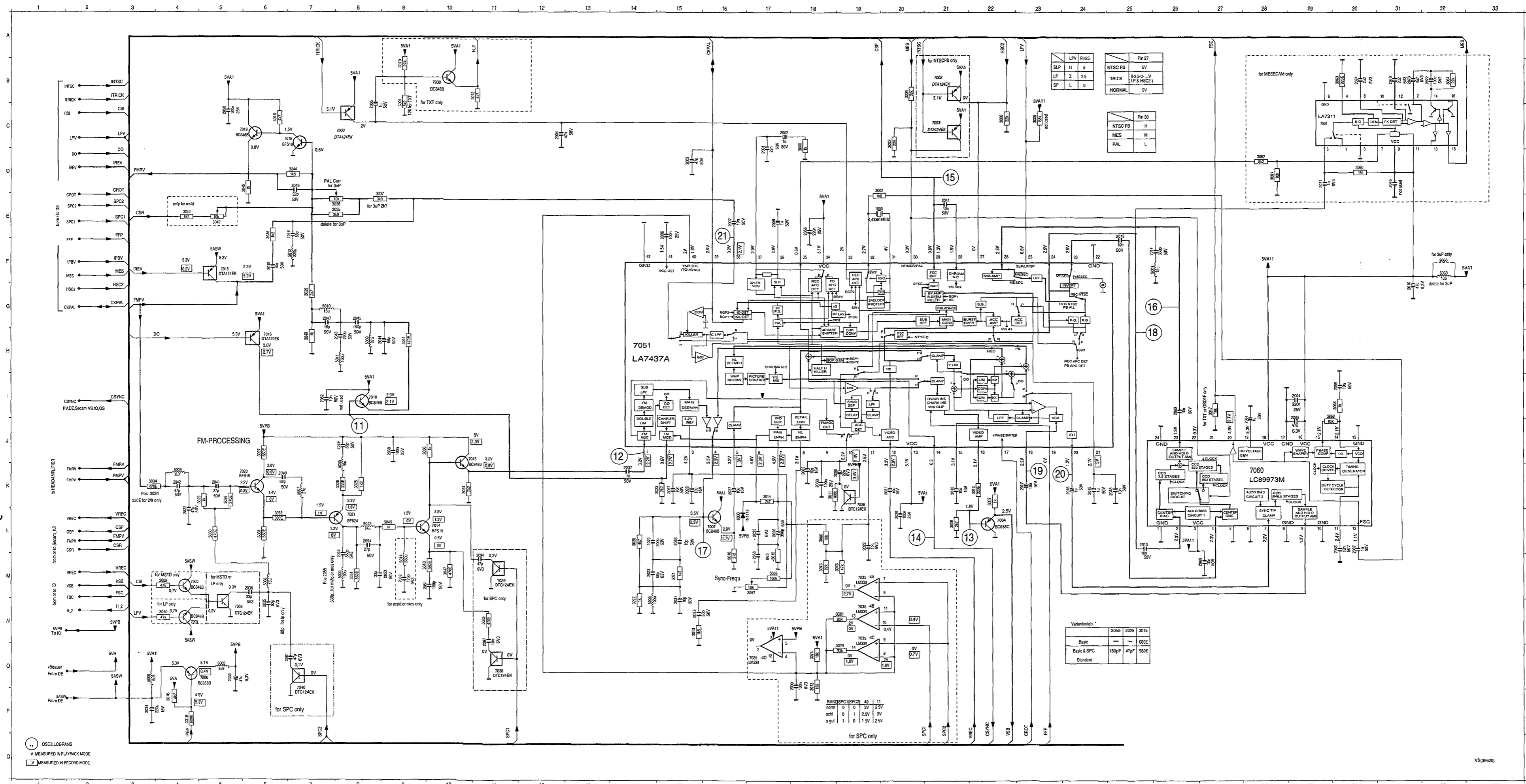
To PDC 1101

To PDC 1105

To Powersupply PSMx 1901

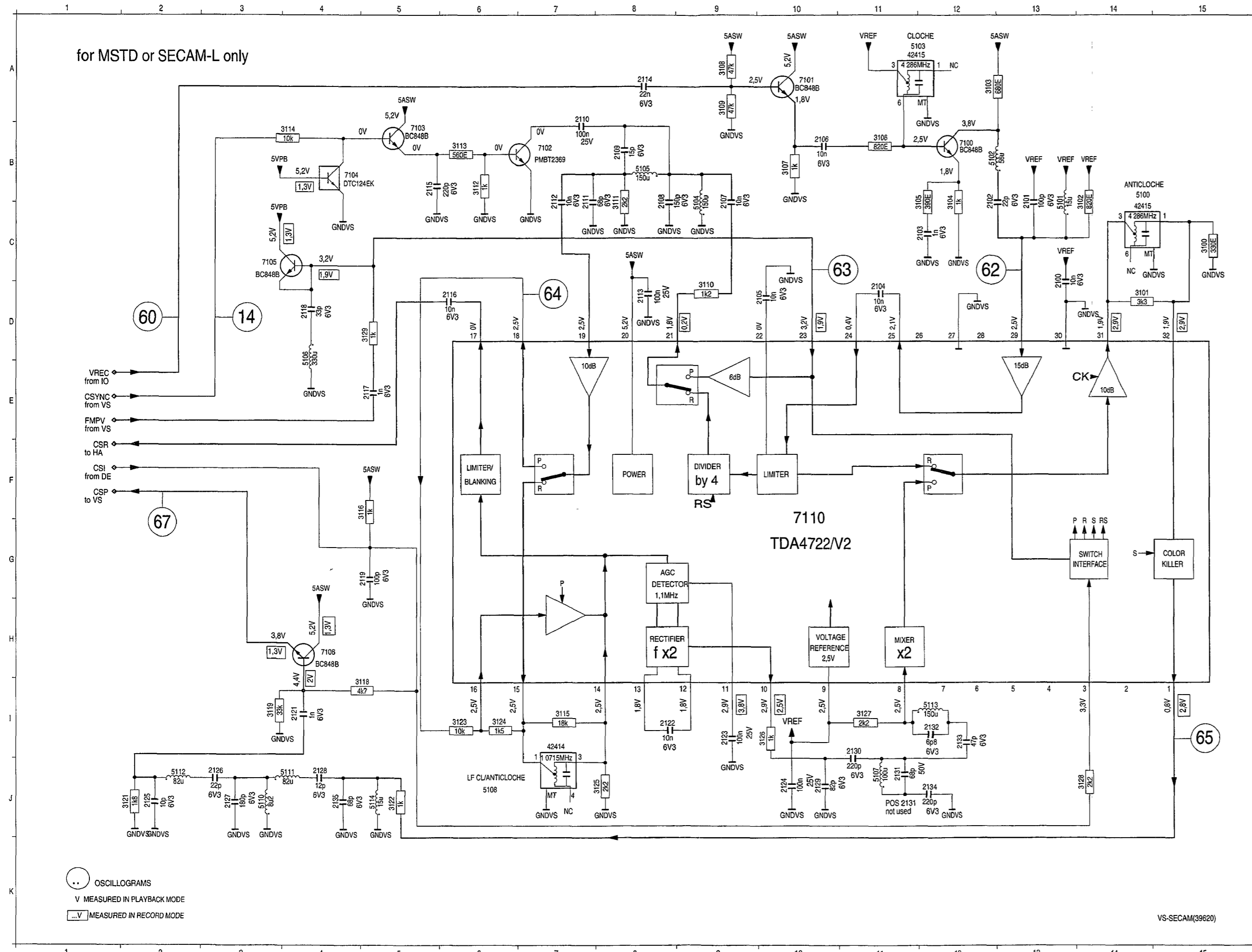


### Mother Board PMB - Video Signal Processing (VS)

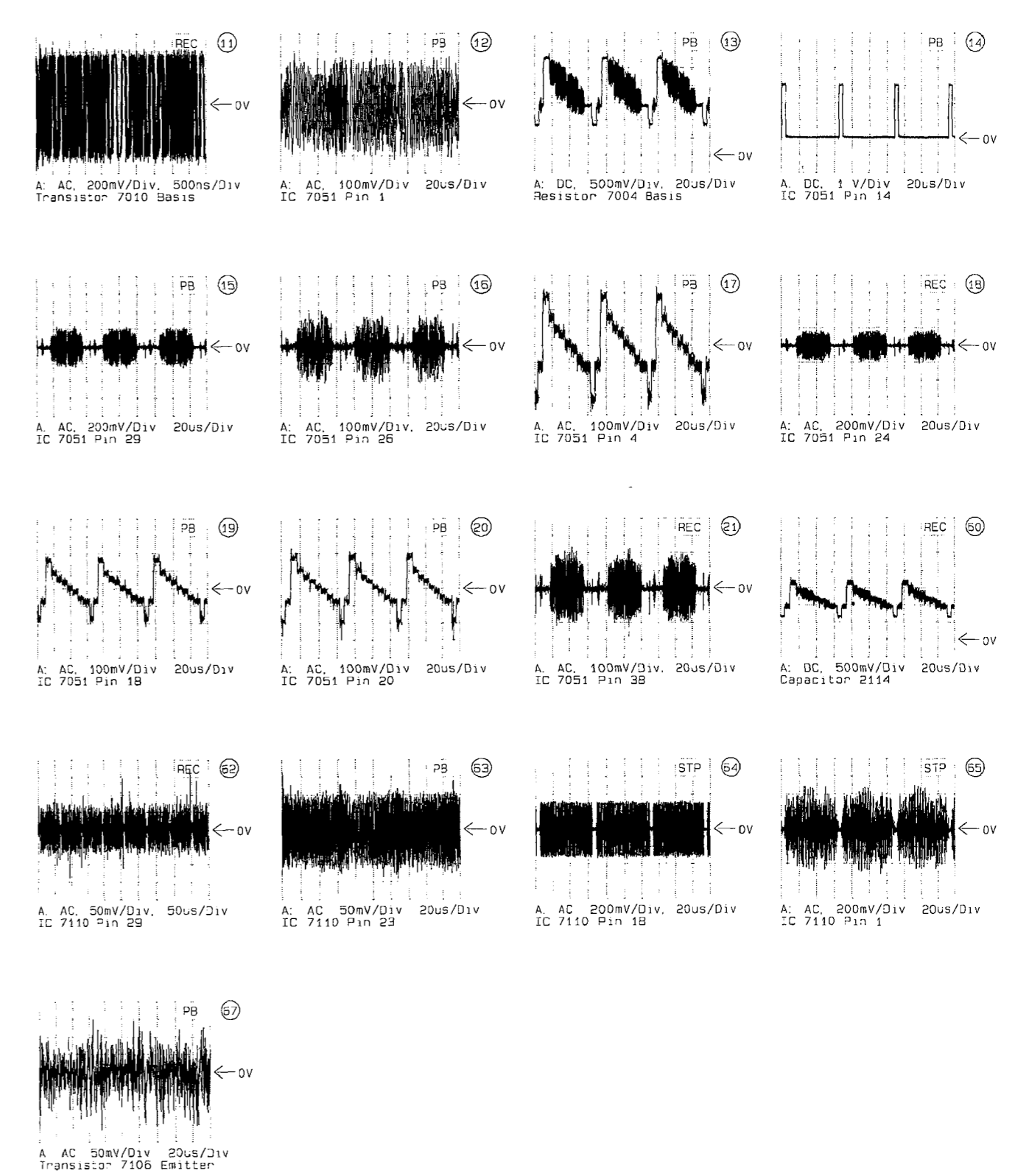


1000	E19	3074	O18
2001	C17	3075	M18
2002	C17	3076	M18
2003	D15	3079	O18
2004	C12	3080	I18
2005	C 6	3081	N19
2006	E15	3085	N11
2007	F16	3086	O 3
2008	E17	5001	F26
2009	O18	5002	O 5
2010	S31	5003	N14
2011	E21	5004	M 8
2012	E25	5005	K 4
2013	E25	5006	L 5
2014	F26	5007	K 7
2015	K24	5008	K 4
2016	K24	5009	H 8
2017	K23	5010	G 7
2018	K21	5011	H 8
2019	F 5	5012	F 7
2020	L20	5013	L 6
2021	K20	5014	M 9
2022	L19	5015	L 4
2023	M14	6000	L16
2025	L17	7000	C 8
2026	L17	7001	C 8
2027	K16	7002	B21
2028	K15	7003	C21
2029	L14	7004	L22
2030	L18	7005	M 4
2031	N15	7006	O 5
2032	L 4	7007	L16
2033	C 5	7008	N 6
2034	P 3	7010	I 8
2035	N 6	7013	J10
2036	L17	7014	L10
2037	K14	7015	F 5
2038	L 8	7016	H 6
2039	L 8	7017	L 6
2040	K 6	7019	C 6
2041	K 5	7020	K 5
2042	L 4	7021	L 4
2043	K25	7030	B10
2044	M 9	7035	O17
2045	L 8	7036	L19
2046	H 8	7035	N19
2047	G 7	7039	M11
2048	L 7	7040	P 7
2050	C 5	7051	H14
2051	M10	7060	K26
2052	M 9	7050	C29
2053	M 9	7051	H14
2054	L 8	7051	H14
2055	M 8	9660	F32
2056	E18		
2057	M15		
2058	M17		
2060	L26		
2061	H 8		
2062	L 7		
2064	H 9		
2065	H 9		
2066	S0		
2067	L30		
2068	L30		
2069	M27		
2070	B31		
2071	O29		
2072	B32		
2073	B31		
2074	S30		
2075	M15		
2076	O31		
2081	O 7		
2082	L15		
2085	L18		
2086	L19		
2087	M11		
2094	M11		
3000	C18		
3001	B 9		
3002	D19		
3003	C20		
3004	E20		
3005	C23		
3006	C22		
3007	K22		
3008	L21		
3009	M 4		
3010	L14		
3011	K18		
3012	K22		
3013	M15		
3014	K17		
3015	F 4		
3016	M16		
3019	P 4		
3020	L14		
3021	M15		
3022	H14		
3023	K15		
3024	K10		
3025	L 6		
3026	K 8		
3027	J 6		
3028	L 5		
3029	K 5		
3030	L 5		
3031	L 6		
3034	K 3		
3035	E 8		
3036	E 8		
3037	E 8		
3038	E 8		
3039	G 7		
3040	H17		
3041	H 9		
3042	E 5		
3043	E 4		
3044	D 7		
3045	D 6		
3046	C 6		
3047	M10		
3048	M 9		
3049	L 9		
3050	J 9		
3051	M 8		
3052	L 6		
3056	M17		
3057	M17		
3060	O30		
3061	D28		
3062	D28		
3063	S30		
3064	B32		
3068	S0		
3069	S0		
3070	B 9		
3072	B11		
3073	O16		

Mother Board PMB - Secam Processing (SE)



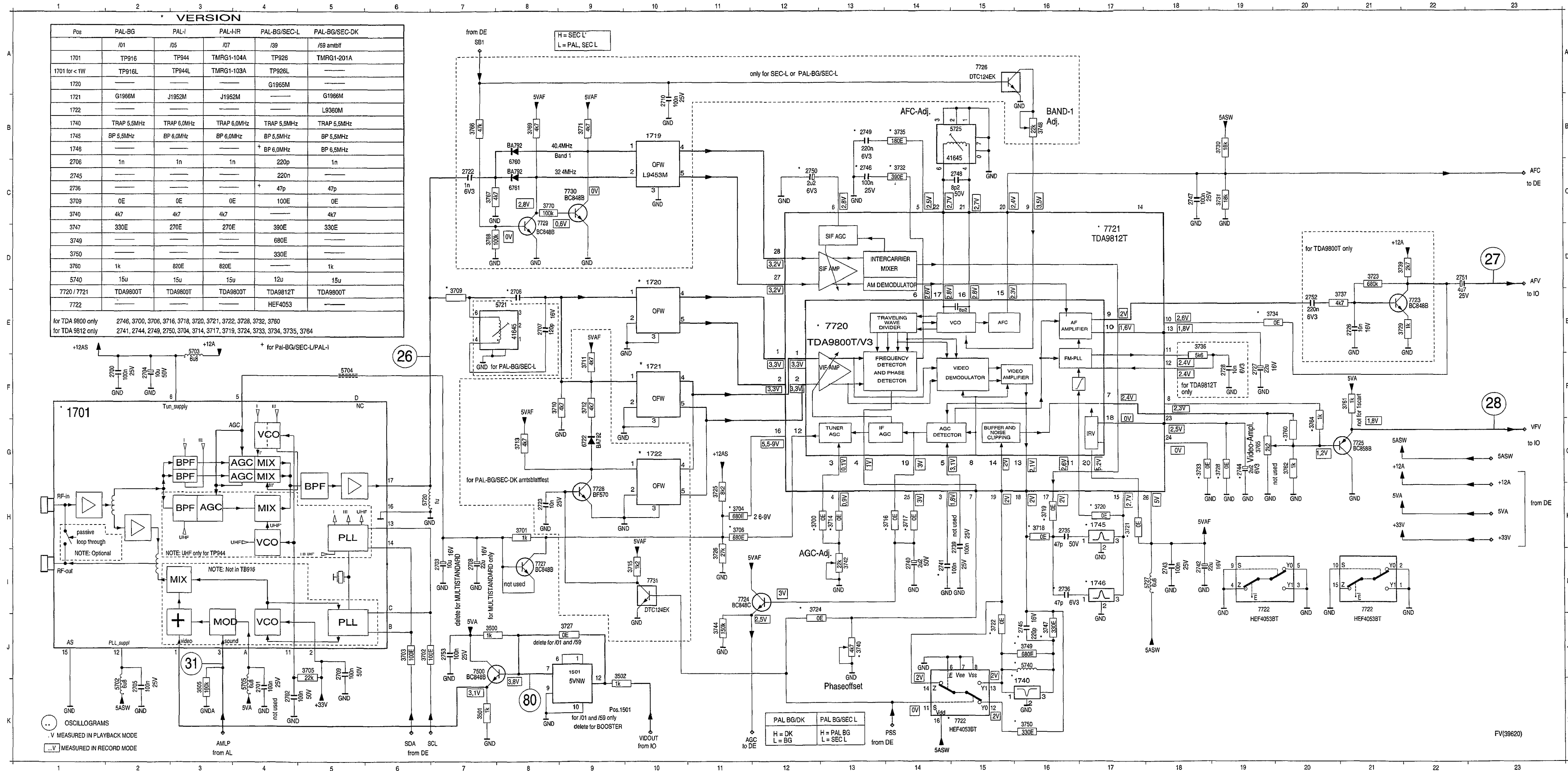
Oscillograms



2100 C13  
2101 B13  
2102 B12  
2103 C12  
2104 D11  
2105 D10  
2106 B10  
2107 B9  
2108 B8  
2109 B8  
2110 A7  
2111 B7  
2112 B7  
2113 D8  
2114 A8  
2115 B5  
2116 D6  
2117 E5  
2118 D4  
2119 G5  
2121 A4  
2122 I8  
2123 I9  
2124 J10  
2125 J2  
2126 J3  
2127 J3  
2128 J4  
2129 J10  
2130 I11  
2131 J11  
2132 I12  
2133 I12  
2134 J12  
2135 I4  
3100 C15  
3101 D14  
3102 B14  
3103 A12  
3104 B12  
3105 B12  
3106 B11  
3107 B10  
3108 A9  
3109 A9  
3110 D9  
3111 B8  
3112 B6  
3113 B6  
3114 B4  
3115 I7  
3116 F5  
3118 I5  
3119 I3  
3121 J2  
3122 J5  
3123 I6  
3124 I6  
3125 J8  
3126 I8  
3127 I11  
3128 J14  
3129 D5  
5100 B14  
5101 B13  
5102 B12  
5103 A12  
5104 B9  
5105 B8  
5106 D4  
5107 J11  
5108 J6  
5110 J3  
5111 J4  
5112 J2  
5113 J12  
5114 J5  
7100 B12  
7101 A10  
7102 B7  
7103 B5  
7104 B4  
7105 C3  
7106 A4  
7110 G10

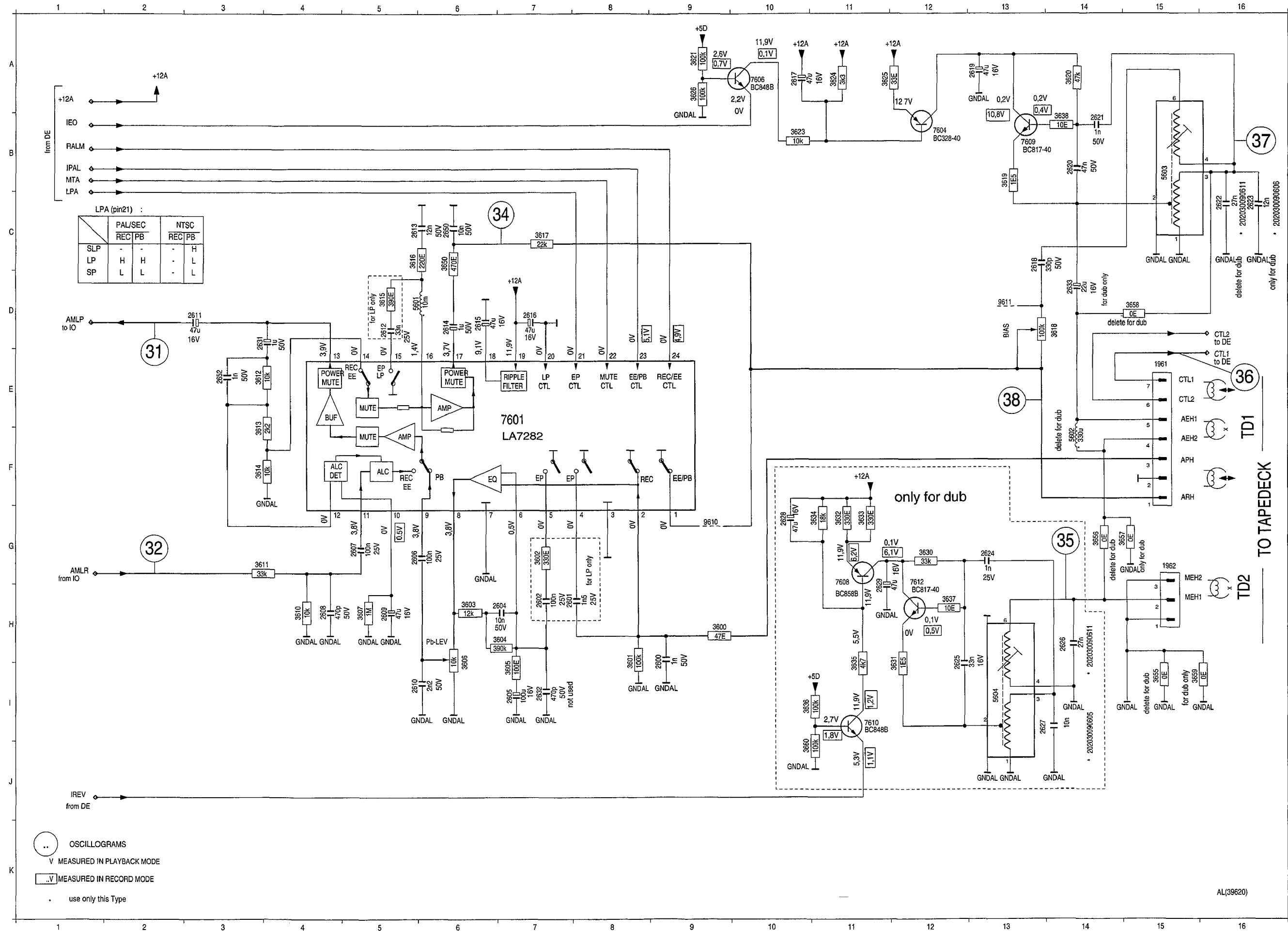


# Mother Board PMB - Frontend (FV)

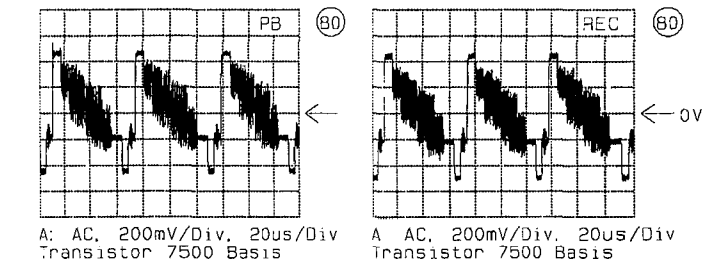
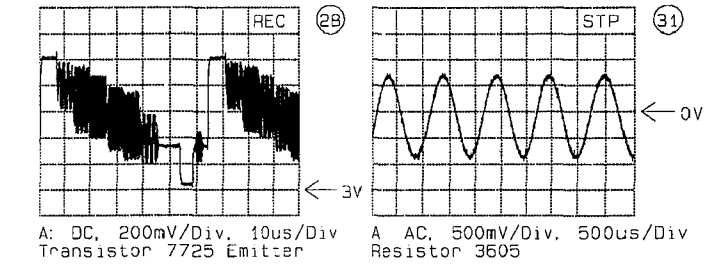
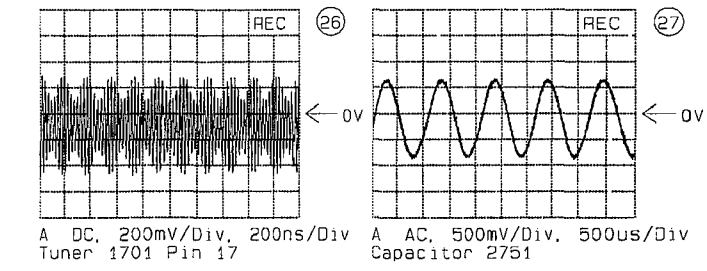


1501 J 9  
 1701 F 1  
 1719 B10  
 1720 D10  
 1721 F10  
 1722 G10  
 1740 K15  
 1745 G15  
 1746 H17  
 1747 I 8  
 1748 I 8  
 1749 K 2  
 1750 K 4  
 1751 K 4  
 1752 K 4  
 1753 K 4  
 1754 K 4  
 1755 K 4  
 1756 K 4  
 1757 K 4  
 1758 K 4  
 1759 K 4  
 1760 K 4  
 1761 K 4  
 1762 K 4  
 1763 K 4  
 1764 K 4  
 1765 K 4  
 1766 K 4  
 1767 K 4  
 1768 K 4  
 1769 K 4  
 1770 K 4  
 1771 K 4  
 1772 K 4  
 1773 K 4  
 1774 K 4  
 1775 K 4  
 1776 K 4  
 1777 K 4  
 1778 K 4  
 1779 K 4  
 1780 K 4  
 1781 K 4  
 1782 K 4  
 1783 K 4  
 1784 K 4  
 1785 K 4  
 1786 K 4  
 1787 K 4  
 1788 K 4  
 1789 K 4  
 1790 K 4  
 1791 K 4  
 1792 K 4  
 1793 K 4  
 1794 K 4  
 1795 K 4  
 1796 K 4  
 1797 K 4  
 1798 K 4  
 1799 K 4  
 1800 K 4

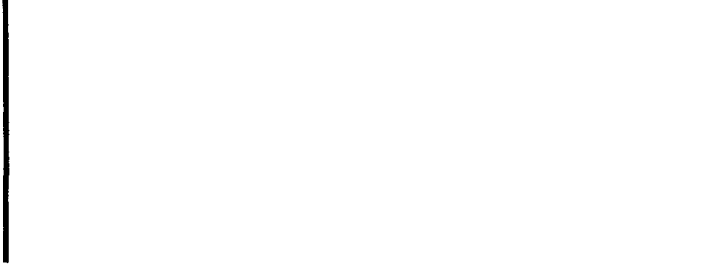
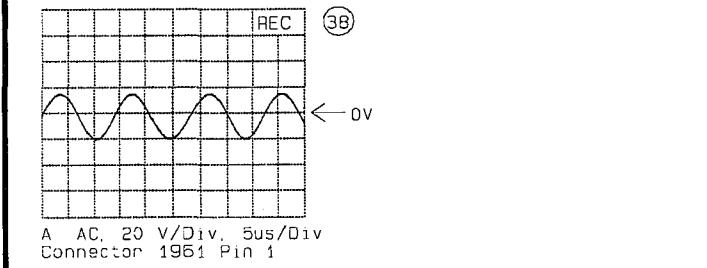
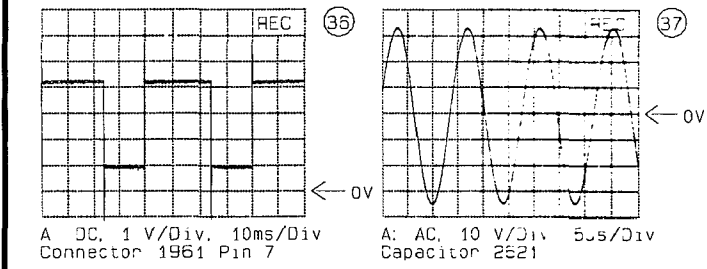
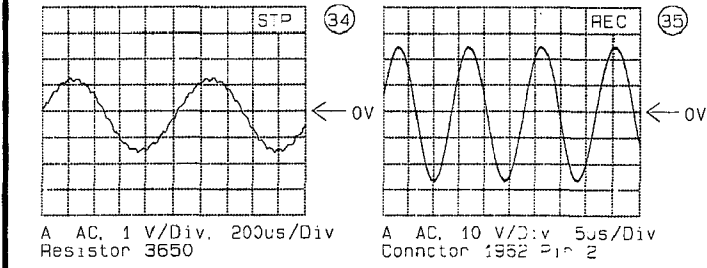
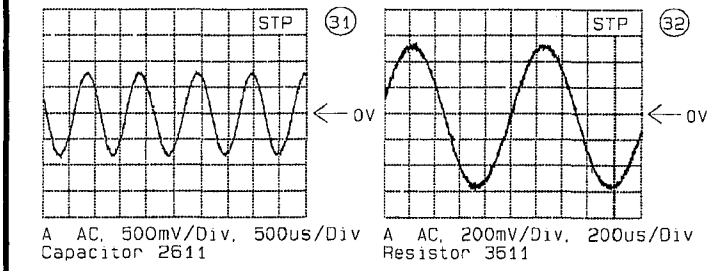
Mother Board PMB - Audio Linear (AL)



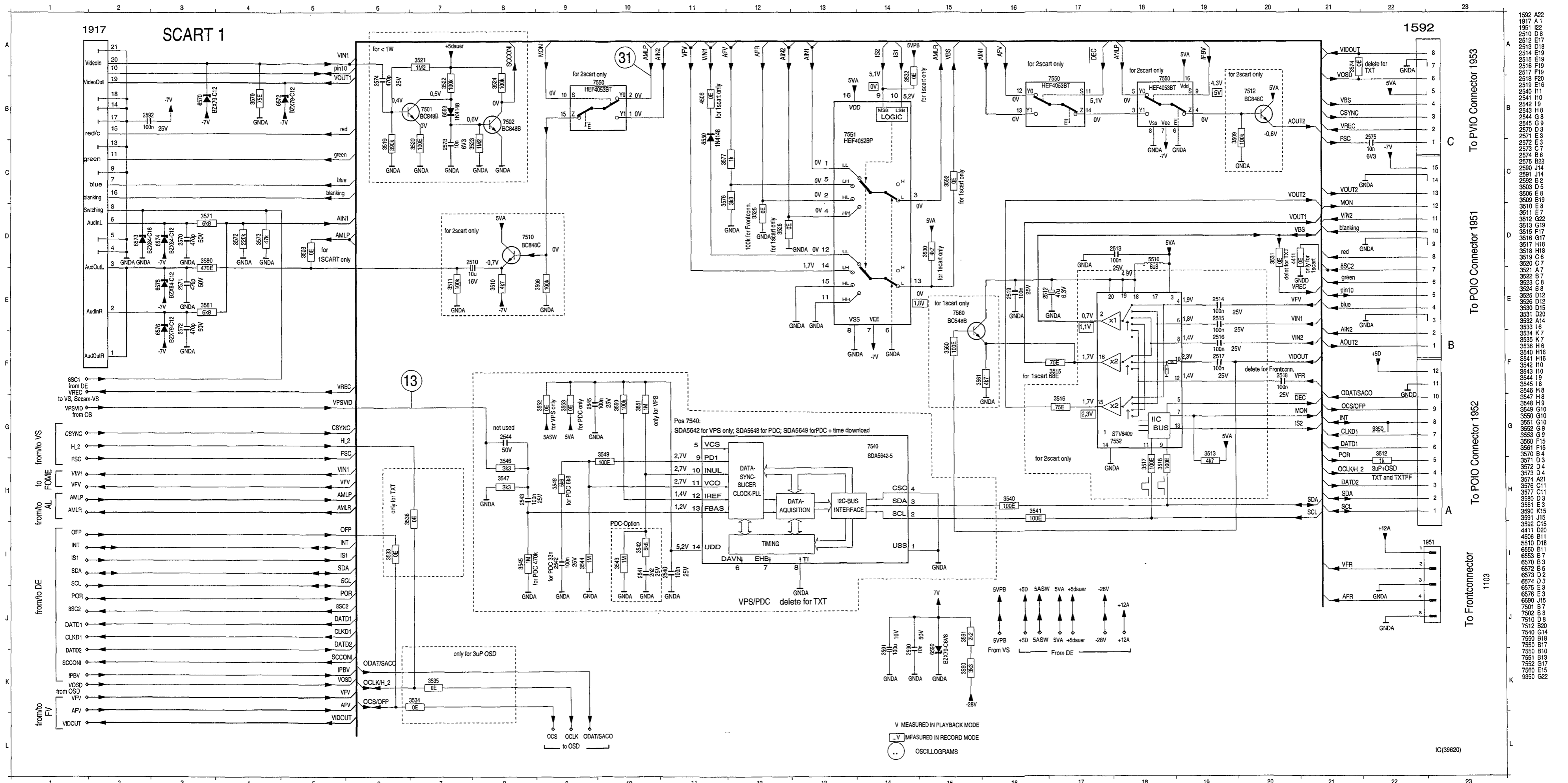
Oscillograms FV



Oscillograms AL

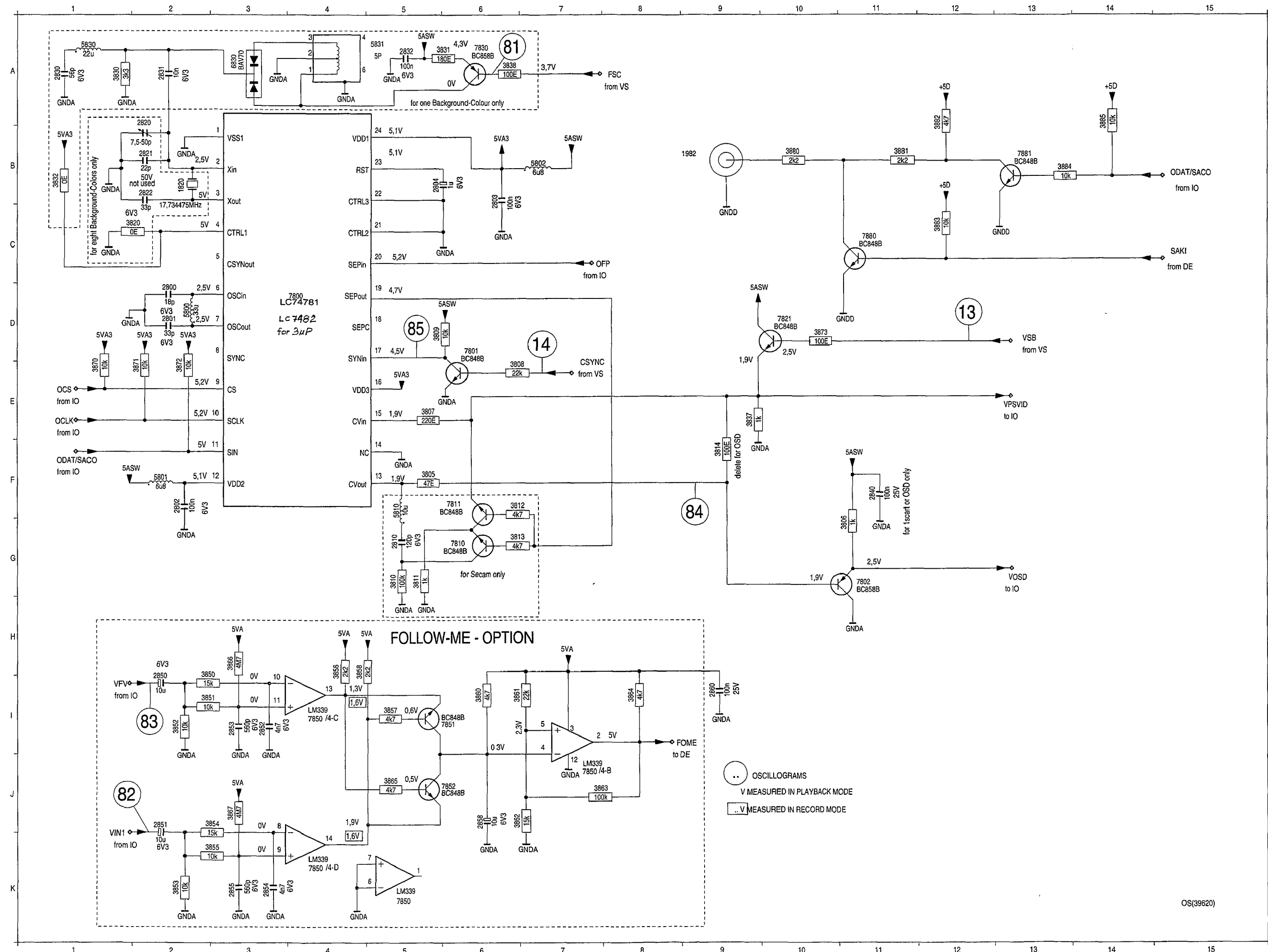


Mother Board PMB - In/Out (IO)



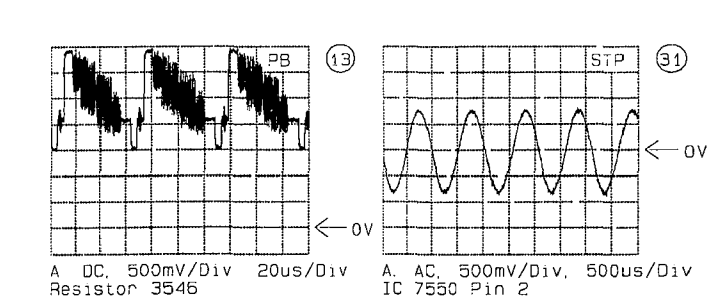
- 1592 A22
- 1917 A 1
- 1951 D22
- 2510 D 8
- 2512 E17
- 2513 D18
- 2514 E19
- 2515 E19
- 2516 F19
- 2517 F19
- 2518 F20
- 2519 E16
- 2540 I11
- 2541 I10
- 2542 I 9
- 2543 H 8
- 2544 G 8
- 2545 G 9
- 2570 D 3
- 2571 E 3
- 2572 E 3
- 2573 C 7
- 2574 B 6
- 2575 B22
- 2590 J14
- 2591 J14
- 2592 B 2
- 3503 D 5
- 3506 E 8
- 3509 B19
- 3510 E 8
- 3511 F 7
- 3512 G22
- 3513 G19
- 3515 F17
- 3516 G17
- 3517 H18
- 3518 H18
- 3519 C 6
- 3520 C 7
- 3521 A 7
- 3522 B 7
- 3523 C 8
- 3524 B 8
- 3525 D12
- 3526 D12
- 3530 D15
- 3531 D20
- 3532 A14
- 3533 I 6
- 3534 K 7
- 3535 K 7
- 3536 H 6
- 3540 H16
- 3541 H16
- 3542 I10
- 3543 I10
- 3544 I 9
- 3545 I 8
- 3546 H 8
- 3547 H 8
- 3548 H 9
- 3549 G10
- 3550 G10
- 3551 G10
- 3552 G 9
- 3553 G 9
- 3550 F15
- 3551 F15
- 3570 B 4
- 3571 D 3
- 3572 D 4
- 3573 D 4
- 3574 A21
- 3575 C11
- 3577 C11
- 3580 D 3
- 3581 E 3
- 3590 K15
- 3591 J15
- 3592 O15
- 4411 D20
- 4506 B11
- 5510 D18
- 6550 B11
- 6553 B 7
- 6570 B 3
- 6572 B 5
- 6573 D 2
- 6574 D 3
- 6575 E 3
- 6576 E 3
- 6580 H 5
- 7501 B 7
- 7502 B 8
- 7510 D 8
- 7512 B20
- 7540 G14
- 7550 B18
- 7550 B17
- 7550 B10
- 7551 B13
- 7552 B17
- 7560 E15
- 9350 G22

### Mother Board PMB - On Screen Display (OS)

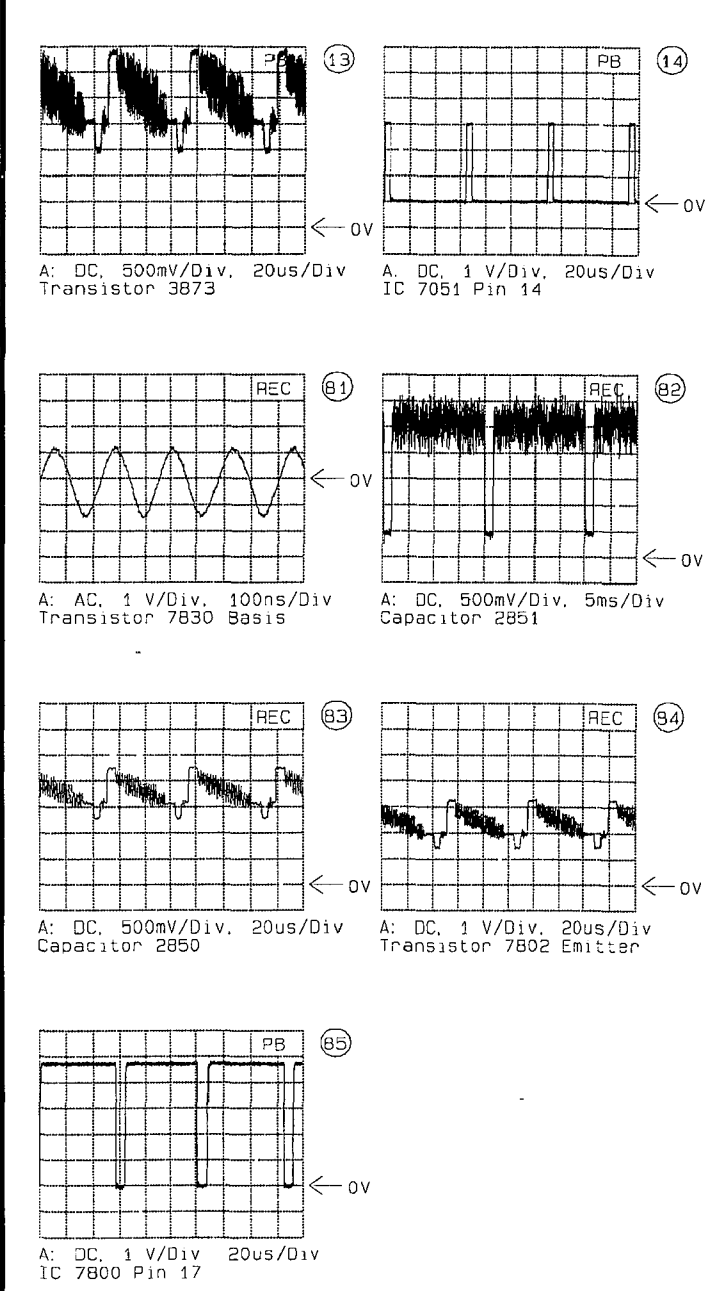


- 1820 B2
- 1862 B9
- 2800 D2
- 2801 D2
- 2802 F2
- 2803 B6
- 2804 B6
- 2810 G5
- 2820 A2
- 2821 B2
- 2822 B2
- 2830 A1
- 2831 A2
- 2832 A5
- 2840 F1
- 2850 I3
- 2851 J2
- 2852 I3
- 2853 I3
- 2854 K3
- 2855 K3
- 2858 J6
- 2860 I9
- 3805 F5
- 3808 G11
- 3807 E5
- 3808 E6
- 3809 D5
- 3810 G5
- 3811 G5
- 3812 F6
- 3813 G6
- 3814 F9
- 3820 C2
- 3830 A1
- 3831 A6
- 3832 B1
- 3837 E9
- 3838 A6
- 3850 I2
- 3851 I2
- 3852 I2
- 3853 K2
- 3854 J3
- 3855 K3
- 3856 H4
- 3857 I5
- 3858 H4
- 3860 I6
- 3861 I6
- 3862 J6
- 3863 J7
- 3864 I8
- 3865 J5
- 3866 H3
- 3867 J3
- 3870 E1
- 3871 E2
- 3872 E2
- 3873 D10
- 3880 B10
- 3881 B11
- 3882 A12
- 3883 C12
- 3884 B13
- 3885 A14
- 5800 D2
- 5801 F2
- 5802 B7
- 5810 F5
- 5830 A1
- 5831 A5
- 6830 A3
- 7800 D4
- 7801 D6
- 7802 G11
- 7810 G6
- 7811 F6
- 7821 D10
- 7830 A6
- 7850 J7
- 7850 K5
- 7850 K4
- 7850 I4
- 7851 I5
- 7852 I5
- 7880 C11
- 7881 B13

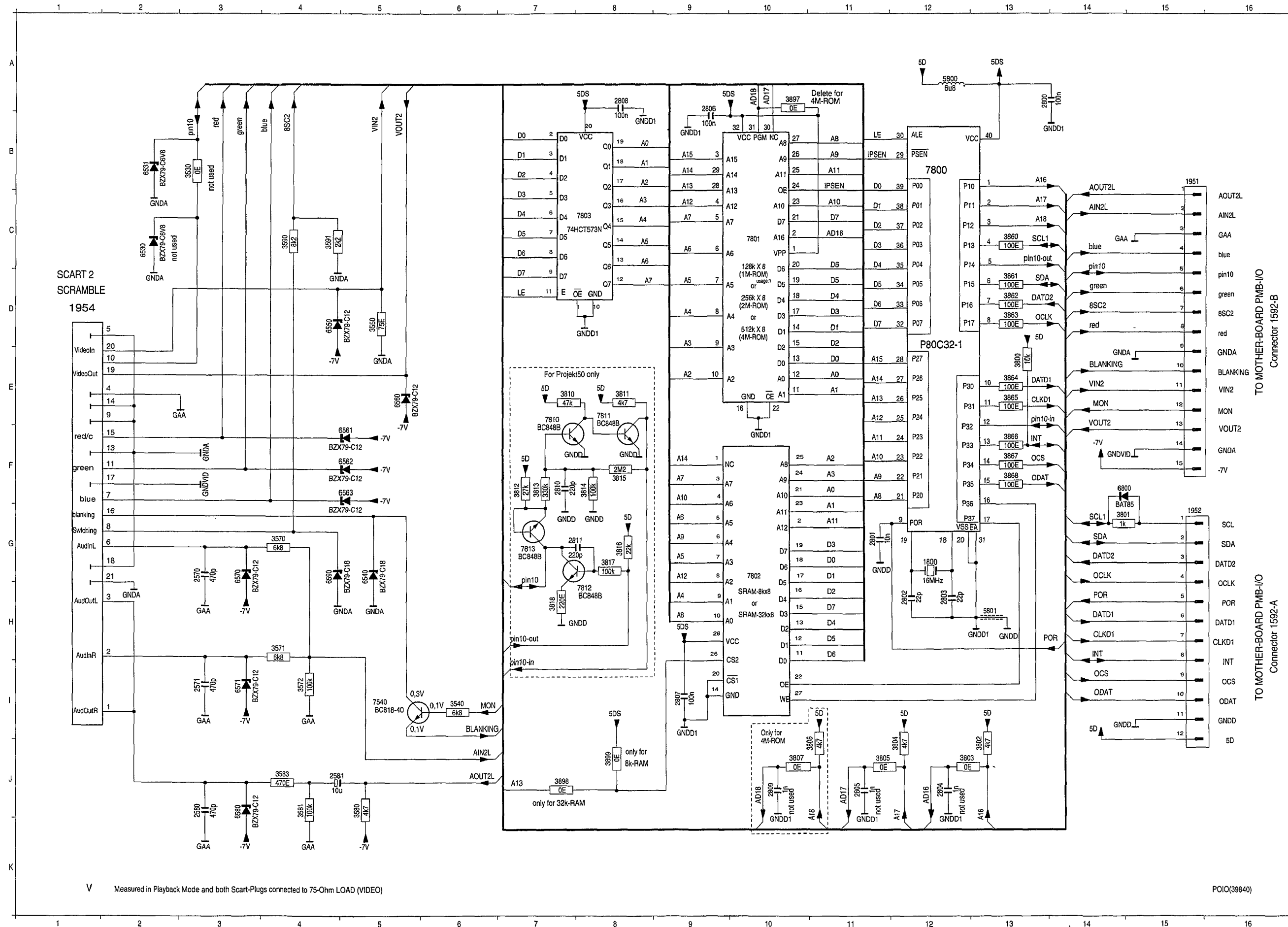
### Oscillograms IO



### Oscillograms OS



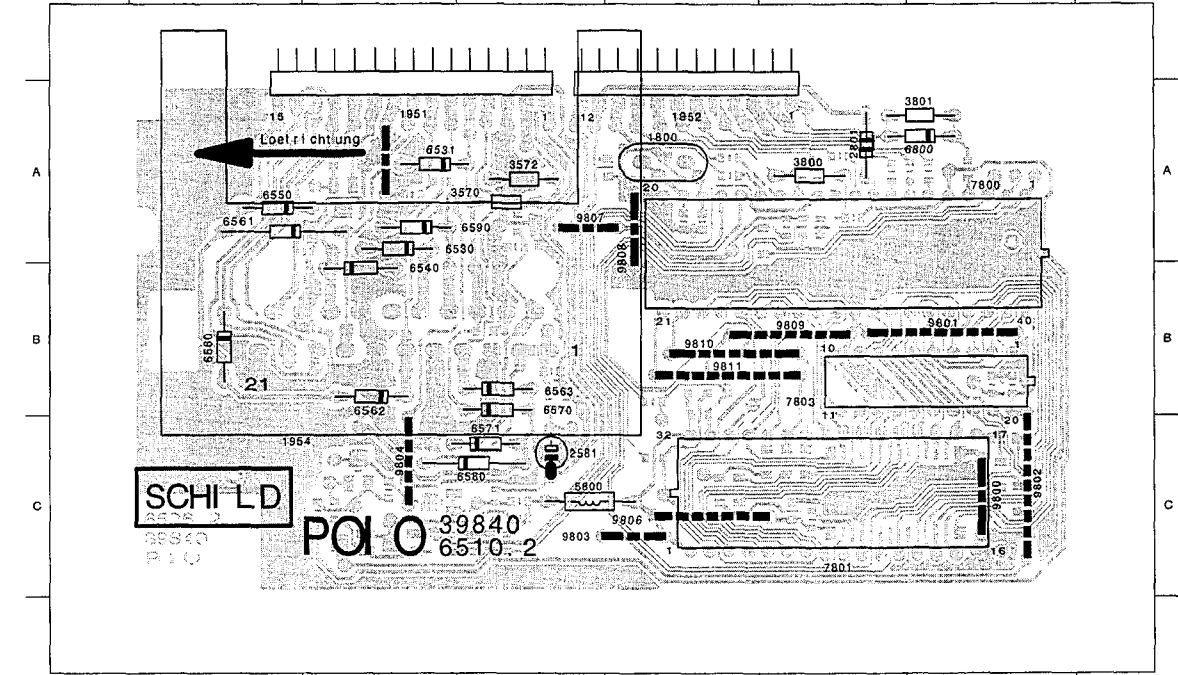
### Input/Output Board POIO



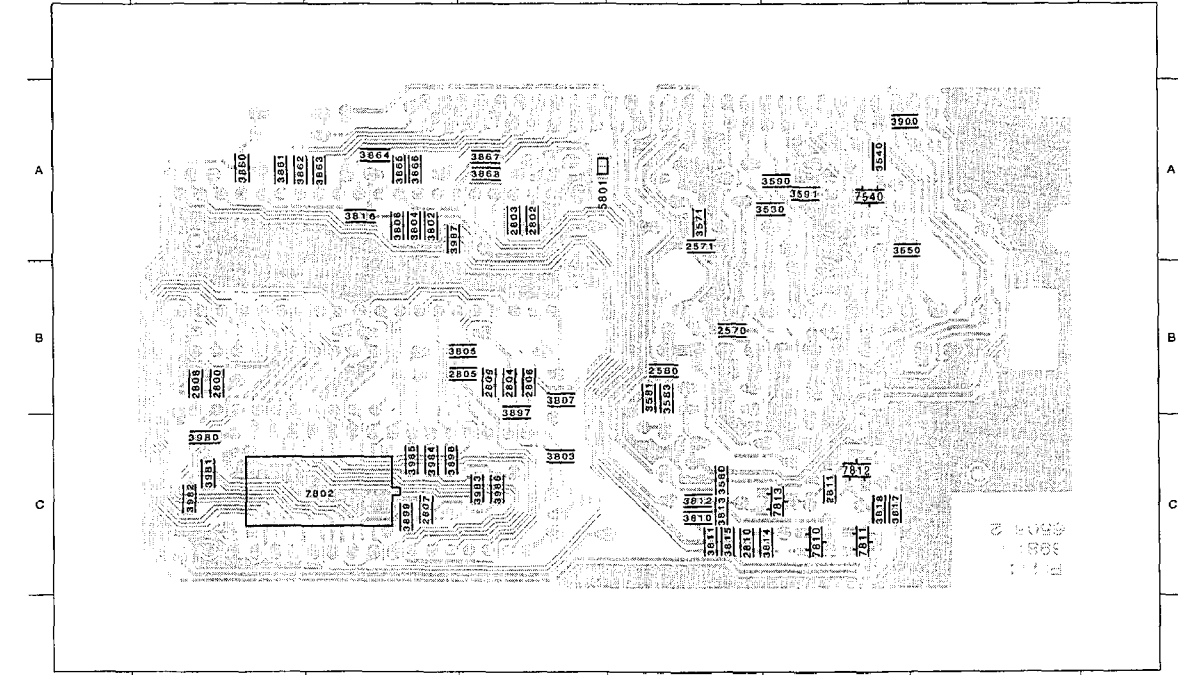
V Measured in Playback Mode and both Scart-Plugs connected to 75-Ohm LOAD (VIDEO)

POIO(39840)

1800	A 4	2581	C 3	3800	A 5	6551	A 2	6561	A 1	6571	C 3	7800	A 5	9800	C 6	9804	C 2	9809	B 5
1951	A 2	2801	A 5	3801	A 6	6540	B 2	6562	B 2	6580	C 3	7801	C 5	9801	B 6	9806	C 4	9810	B 4
1952	A 4	3570	A 3	5800	C 3	6550	A 1	6563	B 3	6590	A 2	7803	B 6	9802	C 6	9807	A 3	9811	B 4
1954	B 2	3572	A 3	6530	A 2	6560	B 1	6570	B 3	6800	A 6	9500	A 2	9803	C 4	9808	A 4		

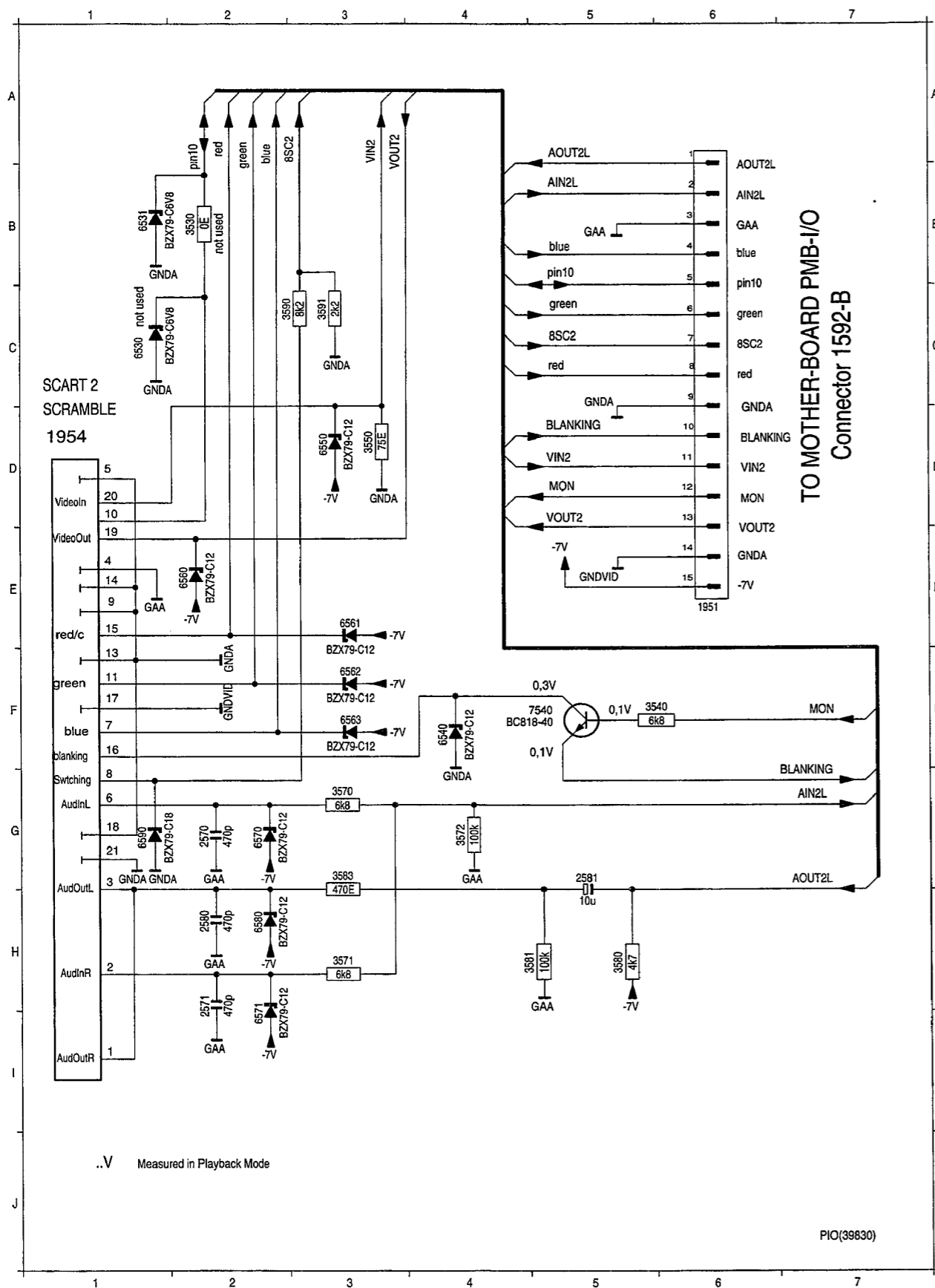


2570	B 3	2804	B 4	2810	C 3	3590	C 3	3803	C 4	3811	C 3	3817	C 2	3864	A 5	3898	C 5	3983	C 4	7540	A 2
2571	A 3	2805	B 4	2811	C 2	3581	B 3	3804	A 5	3812	C 3	3818	C 2	3865	A 5	3899	C 5	3984	C 5	7802	C 5
2580	B 3	2806	A 4	3530	A 2	3583	B 3	3805	B 4	3813	C 3	3860	A 6	3866	A 5	3900	A 2	3985	C 5	7810	C 2
2800	B 6	2807	C 5	3540	A 2	3590	A 2	3806	A 5	3814	C 2	3861	A 6	3867	A 4	3880	C 6	3986	C 4	7811	C 2
2802	A 4	2808	B 6	3550	A 2	3591	A 2	3807	B 4	3815	C 3	3862	A 6	3868	A 4	3881	C 6	3987	A 5	7812	C 2
2803	A 4	2809	B 4	3571	A 3	3802	A 5	3810	C 3	3816	A 5	3863	A 5	3897	B 4	3982	C 6	5801	A 4	7813	C 2



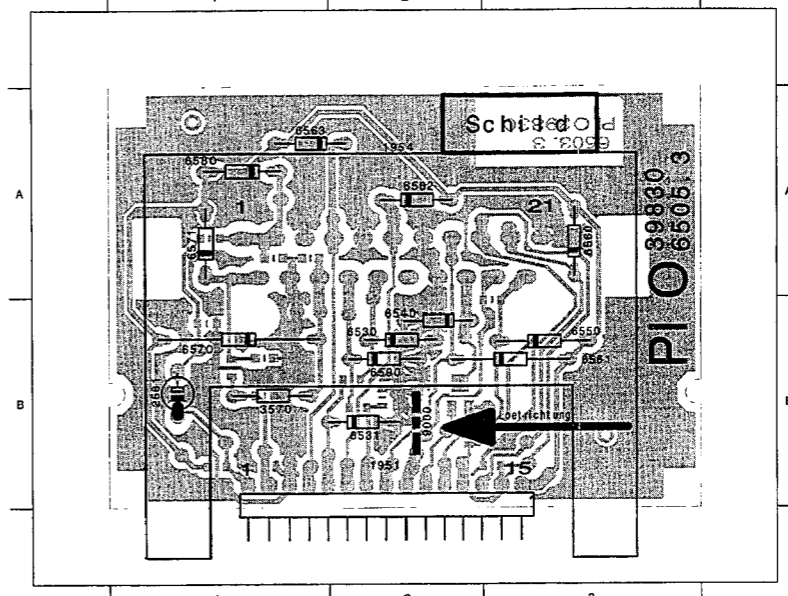


# Input/Output Board PIO

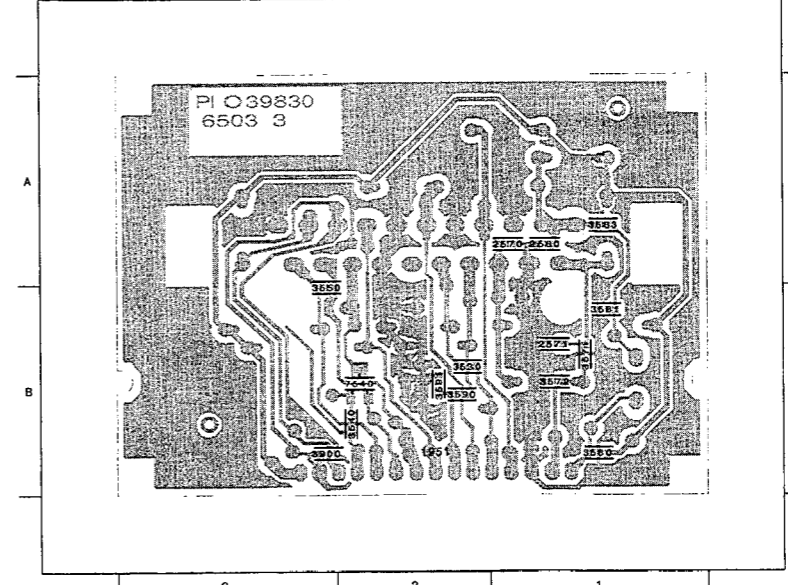


- 1951 E6
- 1954 D1
- 2570 G2
- 2571 H2
- 2580 H2
- 2581 G5
- 3530 B2
- 3540 F6
- 3550 D3
- 3570 G3
- 3571 H3
- 3572 C4
- 3580 H5
- 3581 H5
- 3583 G3
- 3590 C3
- 3591 C3
- 6530 C1
- 6531 B1
- 6540 F4
- 6550 D3
- 6560 E2
- 6561 E3
- 6562 F3
- 6563 F3
- 6570 G2
- 6571 H2
- 6580 H2
- 6590 G1
- 7540 F5

- |          |          |          |          |          |          |
|----------|----------|----------|----------|----------|----------|
| 1951 B 2 | 3570 B 1 | 6540 B 2 | 6561 B 3 | 6570 B 1 | 6590 B 2 |
| 1954 A 2 | 6530 B 2 | 6550 B 3 | 6562 A 2 | 6571 A 1 | 9000 B 2 |
| 2581 B 1 | 6531 B 2 | 6560 A 3 | 6563 A 1 | 6580 A 1 |          |

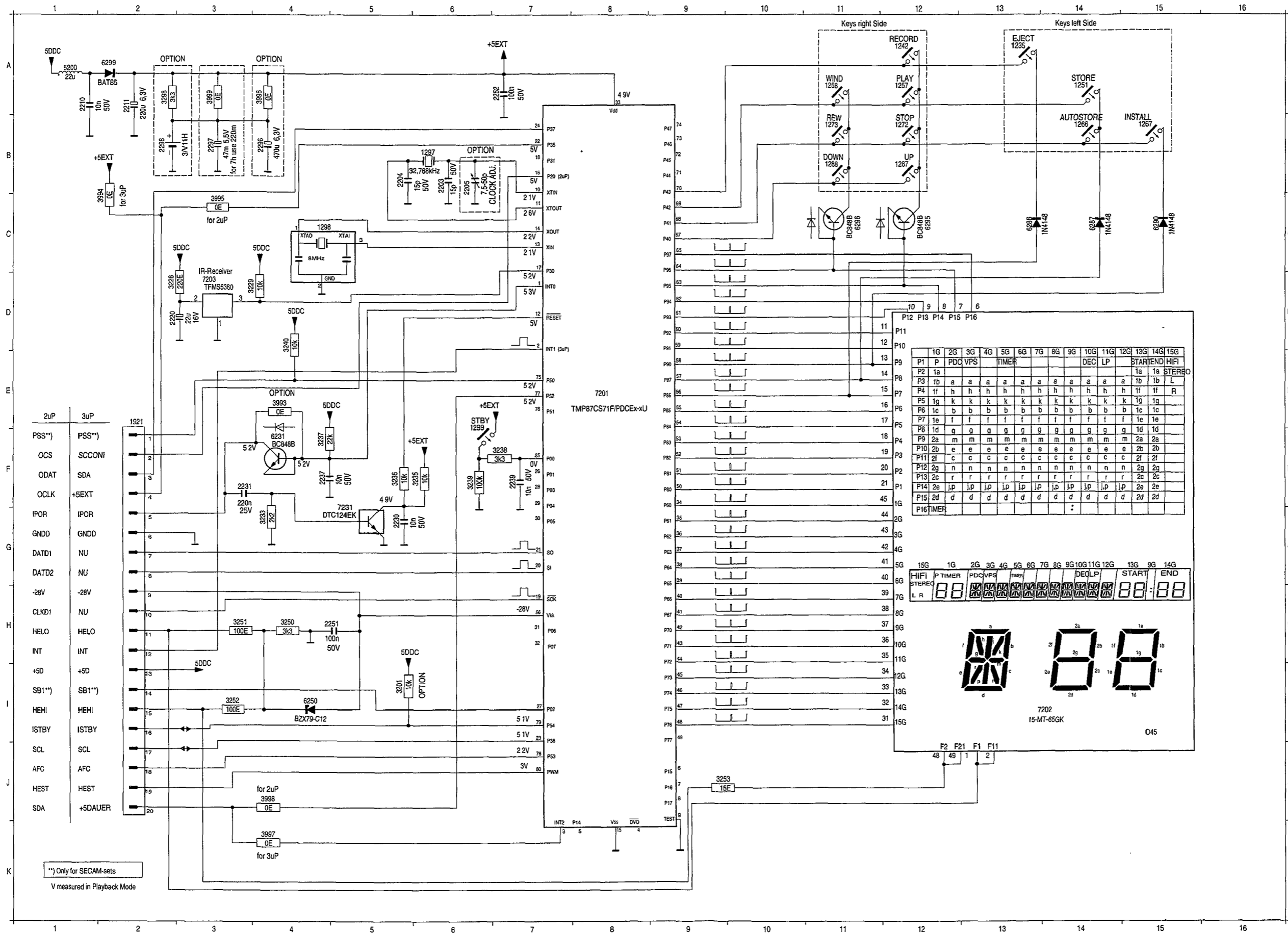


- |          |          |          |          |          |          |          |          |
|----------|----------|----------|----------|----------|----------|----------|----------|
| 2570 A 1 | 2580 A 1 | 3540 B 2 | 3571 B 1 | 3580 B 1 | 3583 A 1 | 3591 B 2 | 7540 B 2 |
| 2571 B 1 | 3530 B 2 | 3550 B 3 | 3572 B 1 | 3581 B 1 | 3590 B 2 | 3900 B 3 |          |



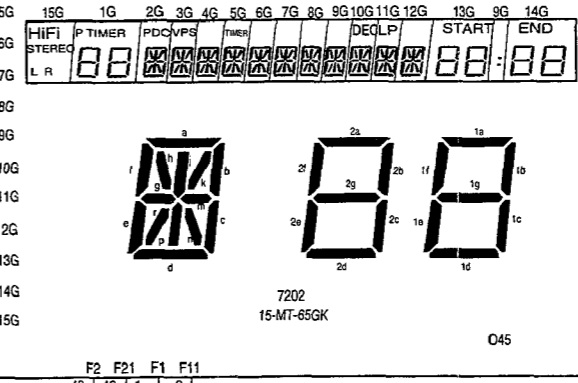


# Operating Panel PDCH1 (DC)



- 1235 A13
- 1242 A12
- 1251 A14
- 1257 A12
- 1258 A11
- 1267 B15
- 1272 B12
- 1273 B11
- 1287 B12
- 1288 B11
- 1297 B6
- 1298 C4
- 1299 F6
- 1921 E2
- 2203 B6
- 2204 B5
- 2205 B6
- 2210 A1
- 2211 A2
- 2220 D2
- 2230 G5
- 2231 F3
- 2237 F4
- 2239 F7
- 2251 H5
- 2252 A7
- 2296 B4
- 2297 B3
- 2298 B2
- 3201 I5
- 3228 D2
- 3229 D4
- 3233 G4
- 3235 F6
- 3236 F5
- 3237 F4
- 3238 F7
- 3239 F6
- 3240 D4
- 3250 H4
- 3251 H3
- 3252 I3
- 3253 J9
- 3298 A2
- 3993 E4
- 3994 C2
- 3995 C3
- 3996 A4
- 3997 K4
- 3998 J4
- 3999 A3
- 5200 A1
- 6231 F4
- 6250 I4
- 6286 C13
- 6287 C14
- 6290 C15
- 6295 C12
- 6296 C11
- 6299 A2
- 7201 E8
- 7202 I3
- 7203 D3
- 7231 G5

	1G	2G	3G	4G	5G	6G	7G	8G	9G	10G	11G	12G	13G	14G	15G
P1	P	PDC	VPS	TIMER						DEC	LP	START	END	HIFI	
P2	1a											1a	1a	STEREO	
P3	1b	a	a	a	a	a	a	a	a	a	a	a	1b	1b	L
P4	1f	h	h	h	h	h	h	h	h	h	h	h	1f	1f	R
P5	1g	k	k	k	k	k	k	k	k	k	k	k	1g	1g	
P6	1c	b	b	b	b	b	b	b	b	b	b	b	1c	1c	
P7	1e	f	f	f	f	f	f	f	f	f	f	f	1e	1e	
P8	1d	g	g	g	g	g	g	g	g	g	g	g	1d	1d	
P9	2a	m	m	m	m	m	m	m	m	m	m	m	2a	2a	
P10	2b	e	e	e	e	e	e	e	e	e	e	e	2b	2b	
P11	2f	c	c	c	c	c	c	c	c	c	c	c	2f	2f	
P12	2g	n	n	n	n	n	n	n	n	n	n	n	2g	2g	
P13	2c	r	r	r	r	r	r	r	r	r	r	r	2c	2c	
P14	2e	j	j	j	j	j	j	j	j	j	j	j	2e	2e	
P15	2d	d	d	d	d	d	d	d	d	d	d	d	2d	2d	
P16	TIMER														



\*\*) Only for SECAM-sets  
V measured in Playback Mode